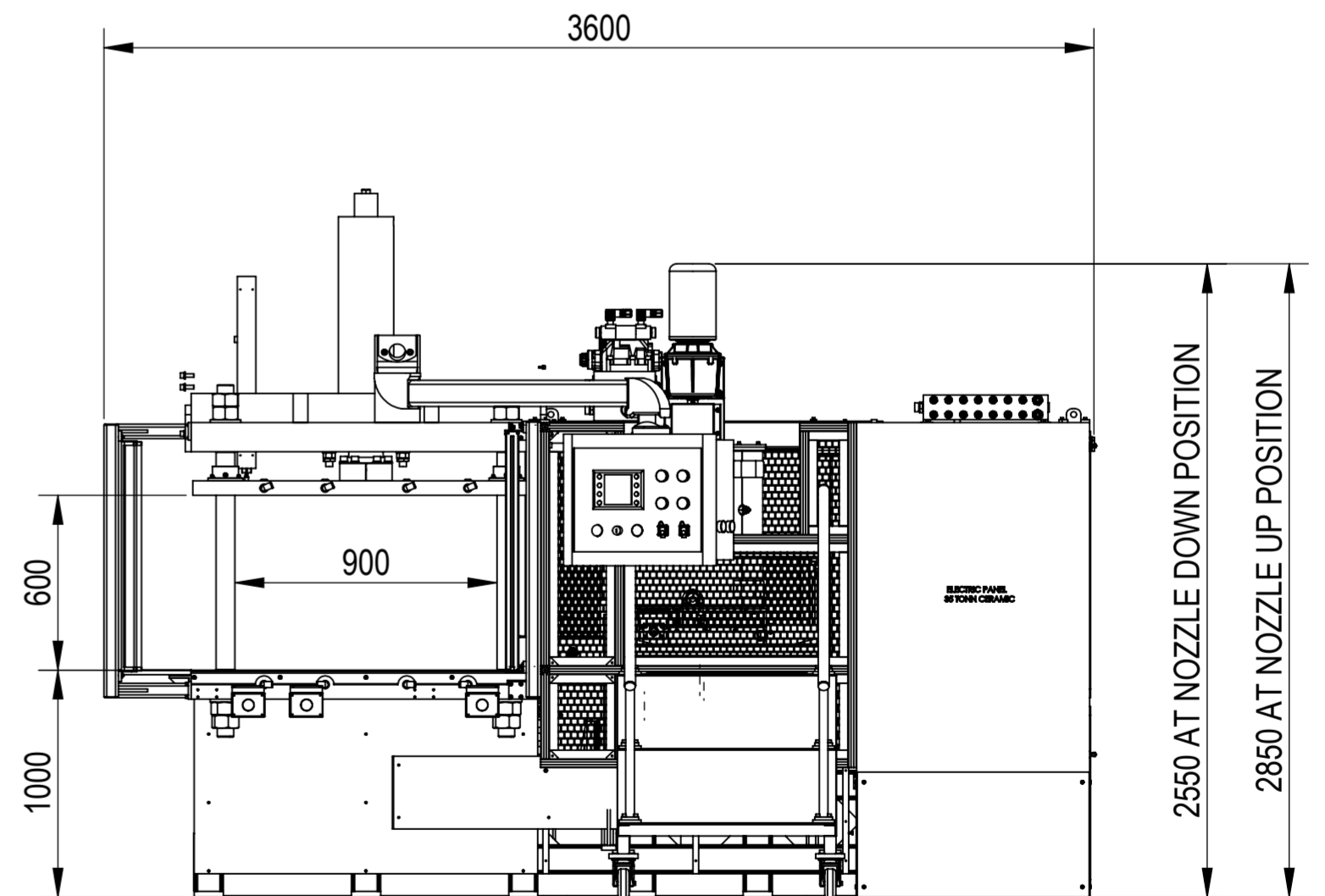
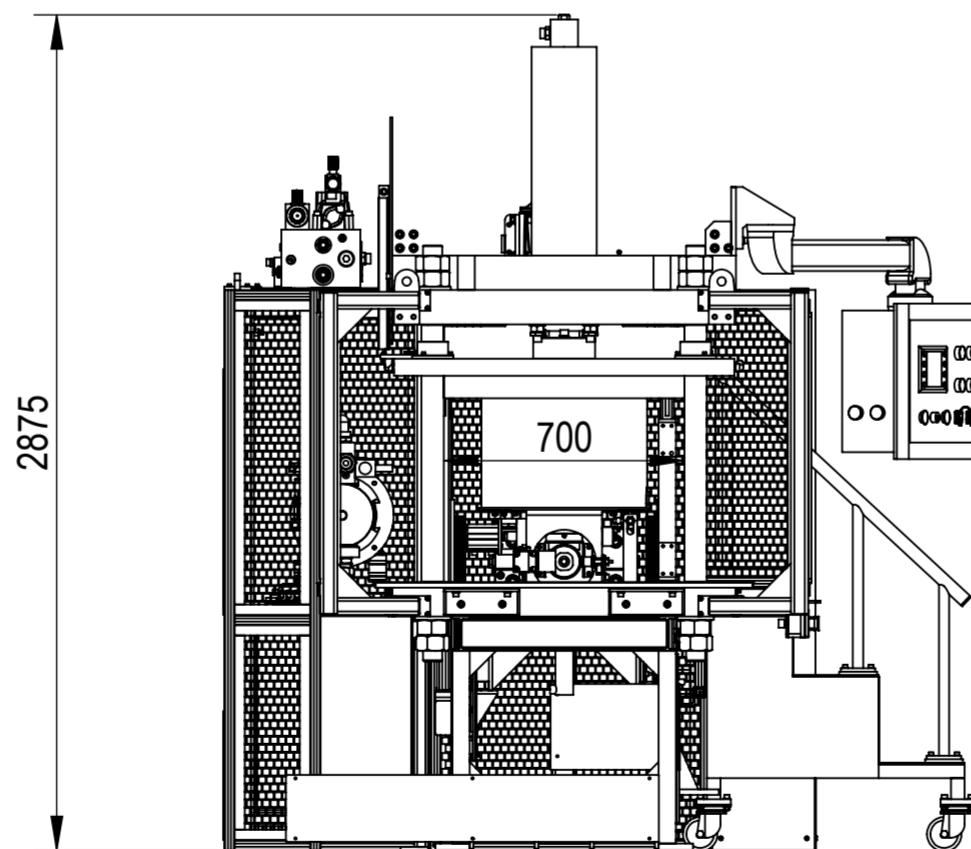
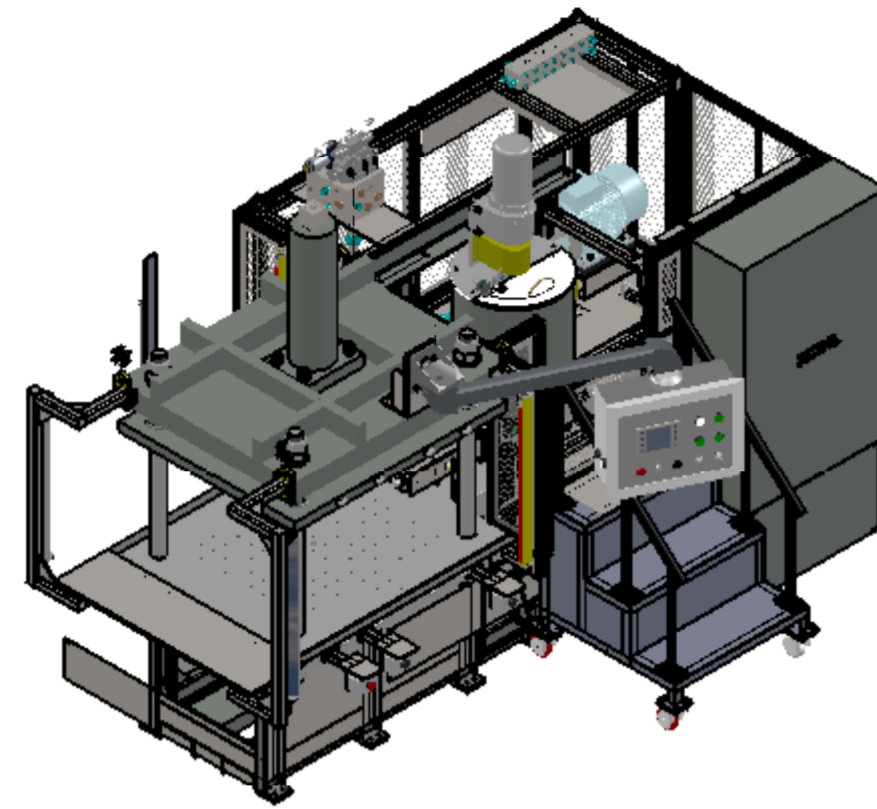
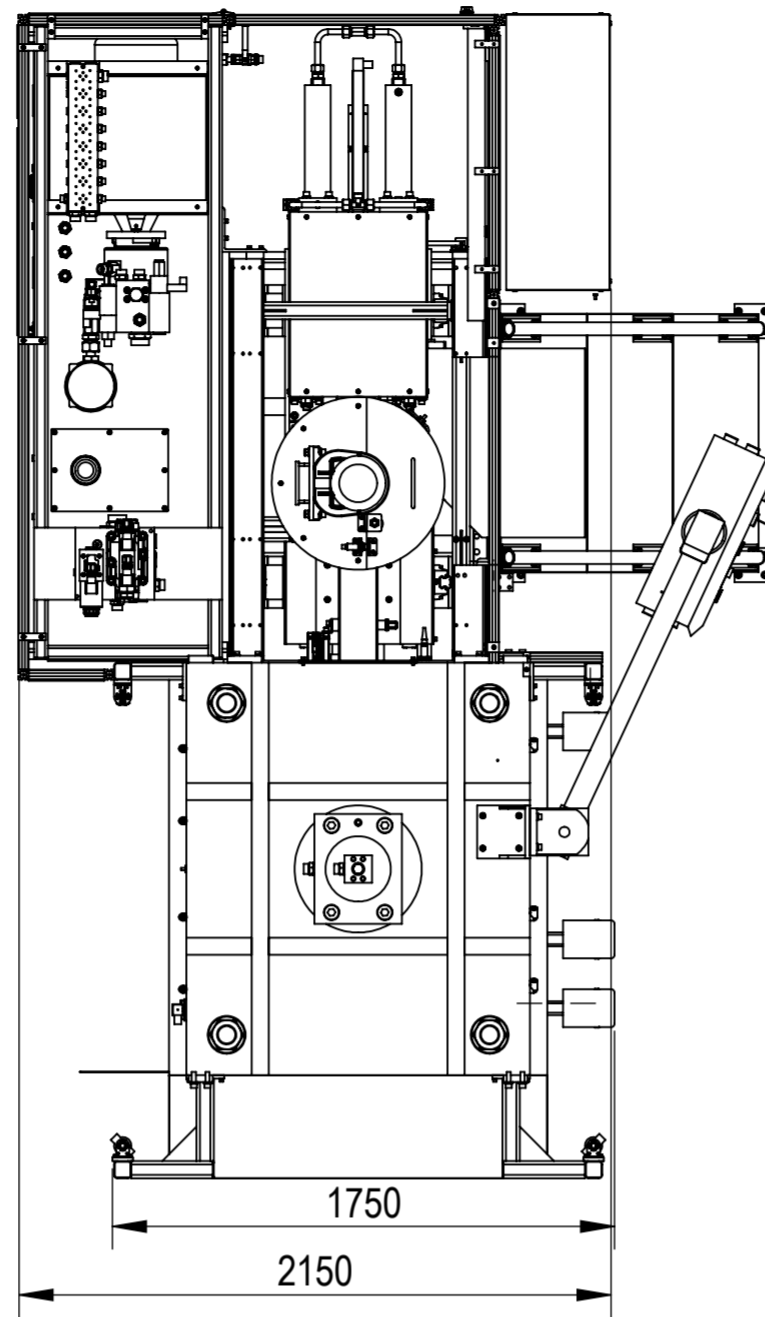


ALL DIMENSIONS ARE IN mm

35TON 4 PILLER CERAMIC INJECTION MACHINE (WITHOUT SHUTTLE TABLE)



THIS DRAWING & DESIGN IS THE PROPERTY OF MODTECH MACHINES PVT. LTD. NO PART OF THIS DRAWING OR DESIGN IS TO BE REPRODUCED OR COPIED OR LENT WITHOUT THEIR PERMISSION IN WRITING.

REV. NO.	EC NO.	DRN NO.	DESCRIPTION	NAME	CHKD.	APPR.	DATE	SCALE:-	SHEET A2	WEIGHT (APPROX):- Kg.	DRG.NO.	REV	SHEET 1 OF 1

	ASSEMBLY:-	TITLE:-		
	MATERIAL:- AS LISTED	NAME	SIGN	DATE
	CHKD.	SIKANDAR		04/04/15
	APPR.			
		DRG.NO.		